

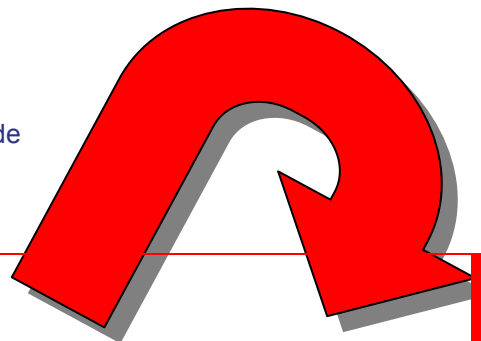


## Drain Master Product Data



**Drain Master is an electrically operated, one touch waste valve designed to replace standard 3" gate valves on both motorized and towable recreational vehicle applications.**

- Made of durable, injection molded ABS plastic.
- Ideal for black and gray water tank installations.
- Operates on standard 12 volt RV systems, and draws less than 2.5 amps during operation.
- Features double sided manual override capabilities.
- Waste gate opens or closes in approximately one second initiated by a switch located virtually anywhere on the vehicle. Two switch remote location optional.
- Weighs less than two pounds, with ultra sleek profile.
- Standard 3 inch pipe fittings and remote switching features provide maximum design placement flexibility.
- Reducer kit available for smaller piping.

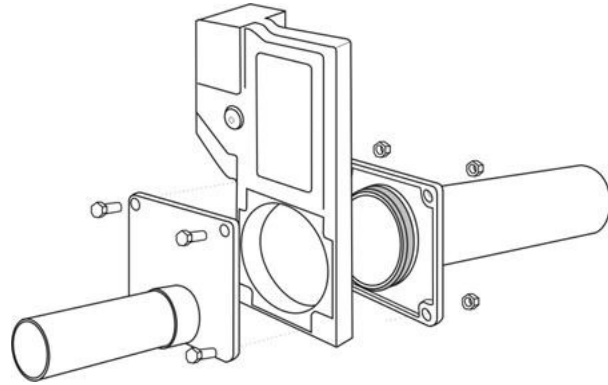


**Drain Master  
Is The Solution**

[www.drainmaster.com](http://www.drainmaster.com) 877-787-8833

## Technical Specifications

- Width 10"
- Height 6"
- Depth 1 3/4"
- Valve Size 3"
- Weight 1 lb 14 oz
- Voltage 12 Volts DC
- Consume 2.5 amps per cycle
- Wire 20 AWG



## Testing Data

Continuous Cycle Test	Cycle Weeks	=	Per Year	÷	Cycles	=	Years
	3 x 52		156		6000		38.46

