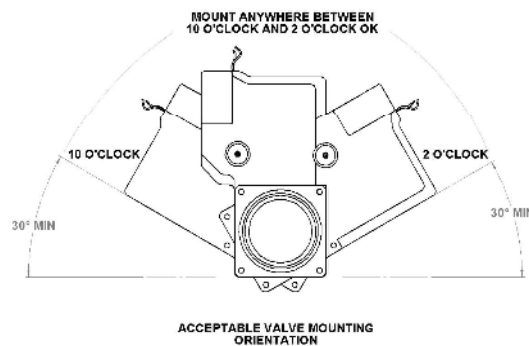




## ***Drain Master Cleaning and Maintenance Procedure***



Your new Drain Master is designed to give you years of trouble free service. The length of time between service intervals will vary depending on usage, tank maintenance and installation position. If the Drain Master was installed in the 10 o'clock to 2 o'clock position over the piping above with little stress on the piping you may never need to do any valve maintenance. If on the other hand the valve was installed in a difficult to reach location and with the valve positioned at the side of the drain pipe you may need to include the valve cleaning procedure to your annual maintenance schedule.



If you notice a change in the valves opening speed or a change in the sound when opening or closing, i.e. the valve seems to be laboring, it is time to perform the following maintenance. Note: Please call our customer service department at (877) 787-8833 toll free and order a Drain Master valve maintenance kit (Part Number 5582 DM30-VMK, retail price \$20.46). Please do not remove your valve until you have received your kit. No sense getting off on the wrong foot. After all, this will not be the most pleasant thing you have done in a while.

1. Disconnect the Red and White wires from the valve. (if your valve is equipped with the LED light on the operator switch you will also have two additional wires; either both white or both red/white/gray, depending on the version of valve you have) Your valve may have a 4pin plug. If so, simply disconnect plugs.
2. Remove the 4 bolts holding the Drain Master in the piping.
3. Separate the flanges holding the valve until the valve can be removed.
4. Remove the 2 seals from the valve or the flanges. Toss in the trash.
5. Clean the area around the two flanges and check for cracks or cuts in the flanges. If necessary replace the defective flange. Easier said than done! You may want to call an RV repair technician to do this job.
6. The valve needs to be soaked in the Sensor Power solution. You will need a bucket or container to soak the valve in the Sensor Power. If you use a bucket you can tie the wires to the handle so the valve is submerged in the Sensor Power without covering the area where the wires protrude from the valve body.
7. **IMPORTANT.** Do not fully submerge the valve. The wire area is not waterproof, only water-resistant and fully submerging the valve could destroy the motor. Please be sure the gate is in the OPEN position.
8. After putting the valve in the container as directed in step 6, add ½ bottle of Sensor Power.
9. Fill the container with warm water so the valve is covered just below the motor wires.
10. LET THE VALVE SOAK UP TO 24 HOURS.
11. Remove valve. Using a 12vdc battery touch the Red wire to the positive terminal (post) and the White wire to the negative post. The valve will open (or close depending on the gate position). Being careful not to get your fingers in the hole where the gate is, reverse the wires on the battery and the gate will again move open or closed.
12. If the valve sounds like it is moving the gate back and forth without effort the valve body inside is clean of any residual waste.
13. Blow moisture out of valve body and when dry, spray inside valve body with silicon spray. Cycle Valve.
14. If the valve still sounds sluggish redo steps 7 through 13.
15. It is now time to reinstall the valve on your coach. **Leave the valve in the closed position.**
16. Apply a thin coat of the supplied special grease (Dow111) to the seals. You don't need much and you should have lots left over. A thin coat is all that is required. It helps hold the seals in place while reinstalling the valve.
17. Place the seals on the flanges (**this is an important step – do not place seals on the valve itself**).
18. Separate the flanges far enough to slide the valve into position between the flanges without disturbing the seals.
19. Line up the four bolt holes and using the new bolts supplied; slip them into the through holes. Hand tighten the 4 bolts with the supplied lock nuts.
20. Using a 7/16<sup>th</sup> wrench, tighten the 4 bolts in a criss cross fashion, (i.e. upper left first, lower right next, upper right, then lower left) This is plastic, so don't over tighten. The valve should be snug and not in stress because the bolts are too tight. **Finger tight then no more than 1.5 turns with a wrench.** If your valve is equipped with a 4 pin plug, simply reconnect.
21. Reconnect the Red wire to the Red wire and connect the White wire to the other White wire. If equipped with LED light on switch you will have the additional two wires to hook up to the valve as well. See wiring instructions if you need more detail.
22. Cycle the valve to make sure it is working properly.
23. Add water to the holding tank and check to be sure you have no leaks.

Now wasn't that fun? You deserve to be the first to talk about your day at "Happy Hour".

If you have any question during this process please do not hesitate to call our toll free number **(877) 787-8833**

Thank you for purchasing our products. Without you and your kind words to others about our products or service we would not be successful.