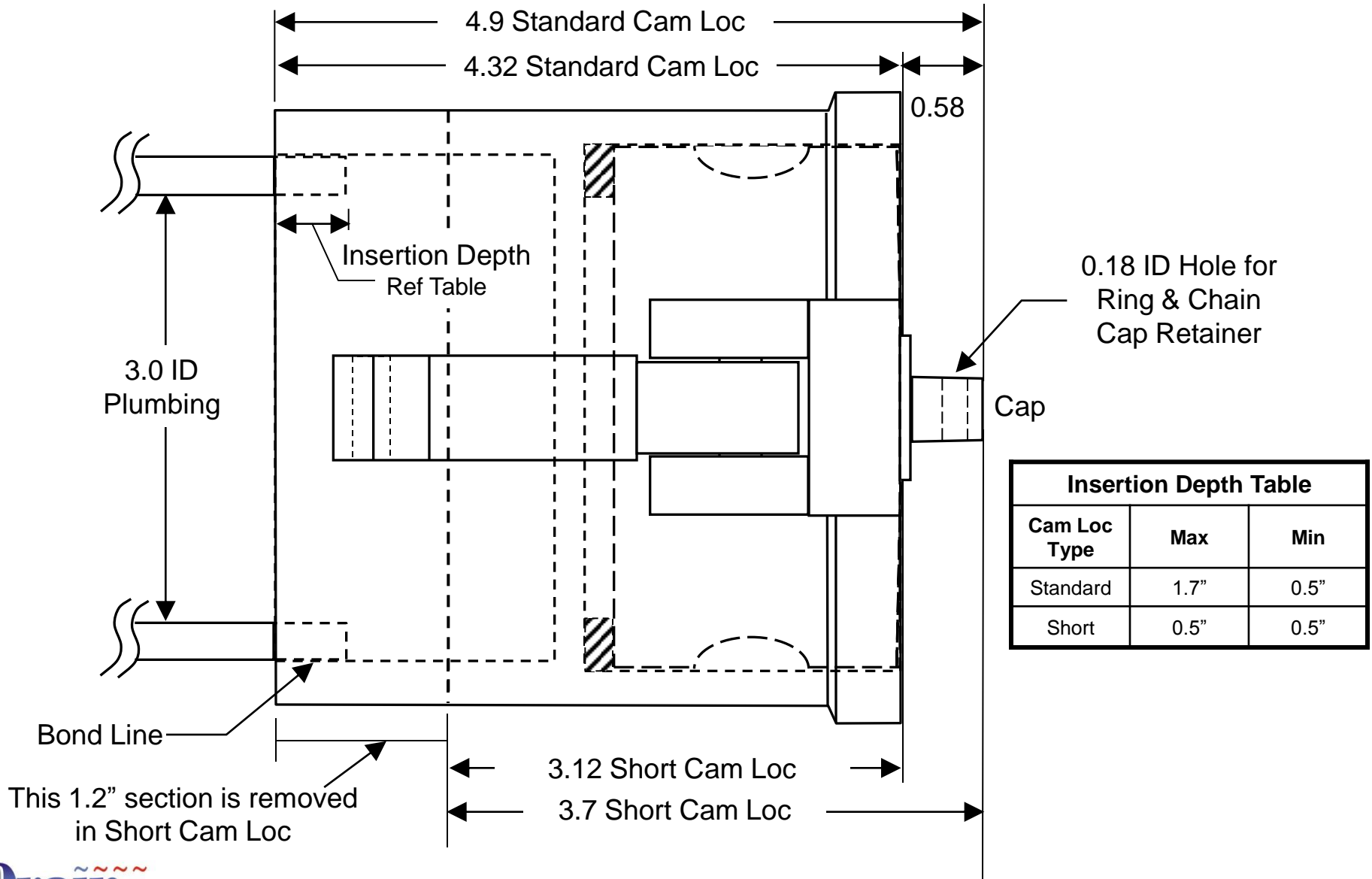


# Cam Loc System Dimensions *for*

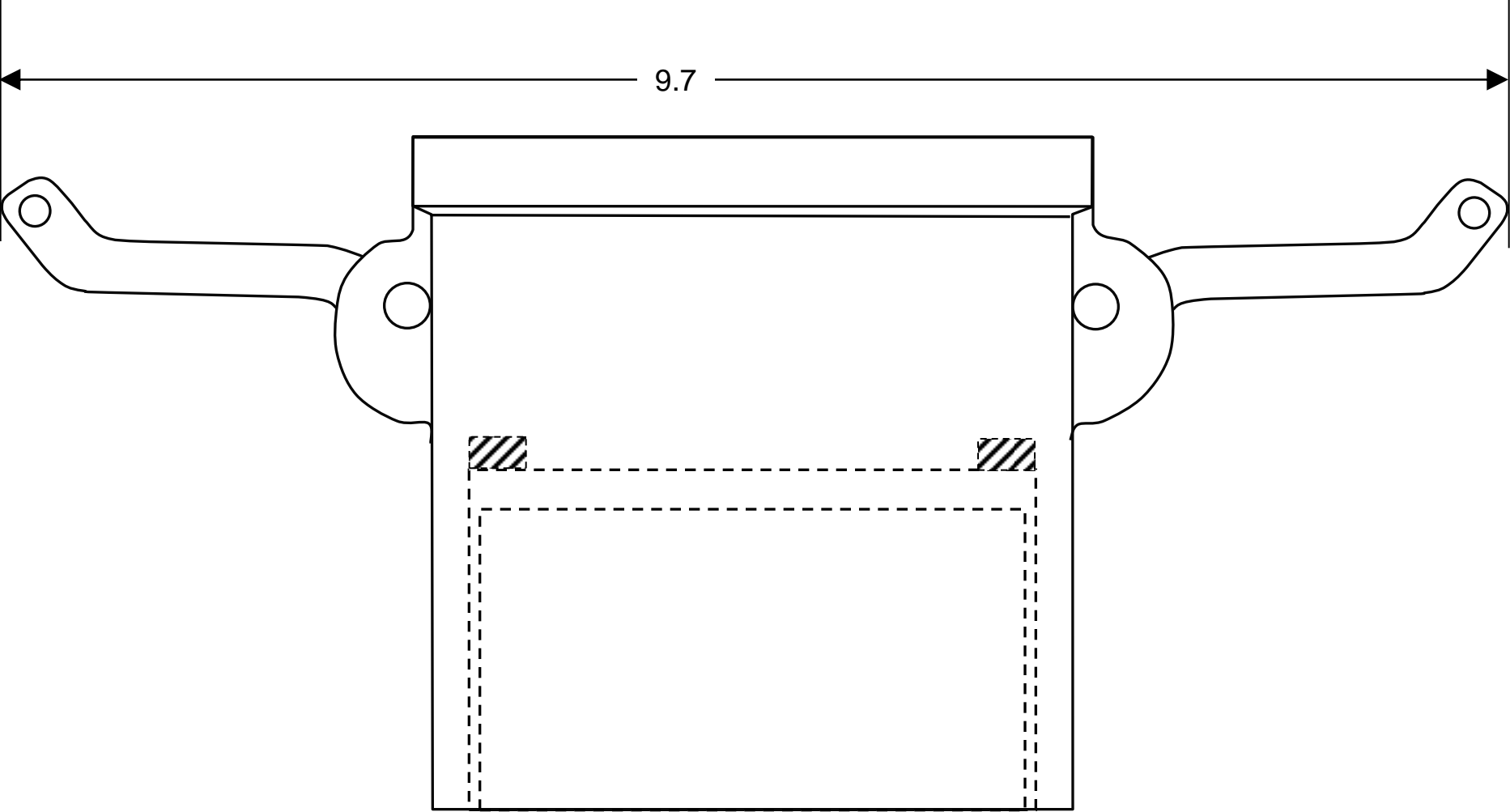
- ✓ AM Installers
- ✓ OEM Designers & Engineers



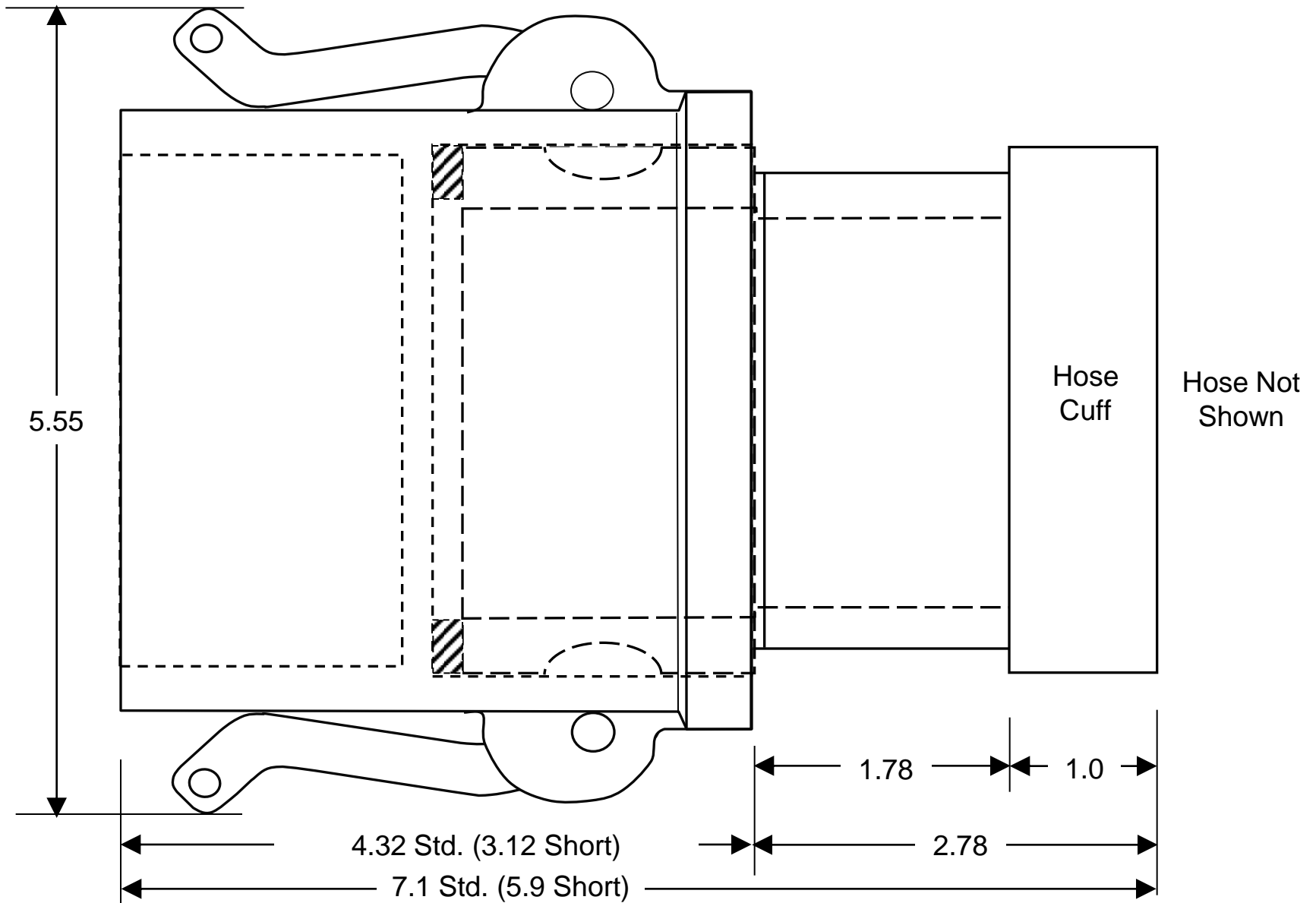
# Side View - Cam Loc Female Showing 3" ID Plumbing Insertion Requirement & Overall Dimensions with Cap Installed



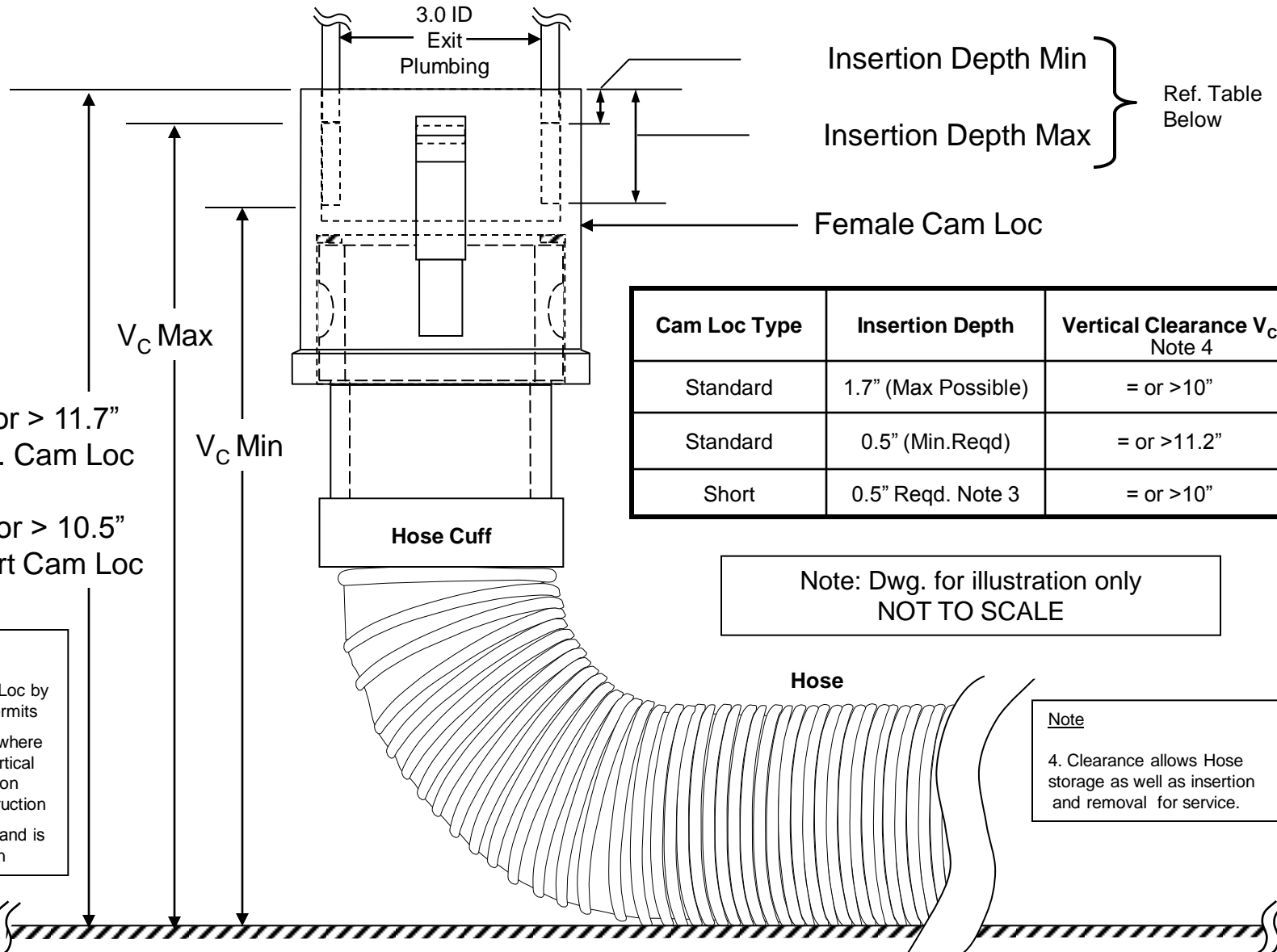
# Top View - Cam Loc Female with Levers Open to Maximum



# Top View - Cam Loc Male and Female Engaged with Levers Closed



# Vertical clearance requirement measured from 3" plumbing end to bay floor to attain permanently connected hose storage configuration



Note 1 = or > 11.7"  
Std. Cam Loc

Note 2 = or > 10.5"  
Short Cam Loc

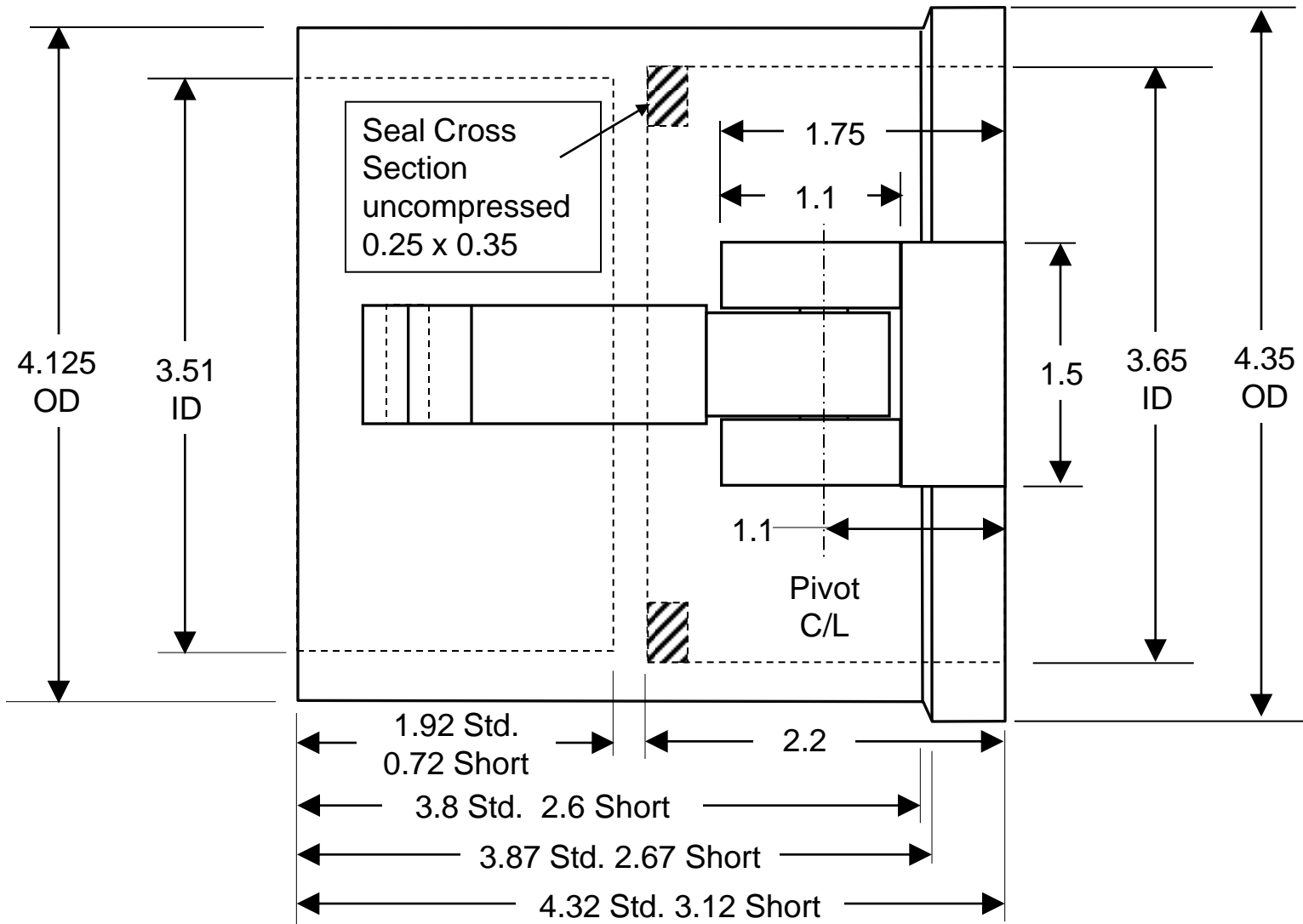
- Notes.**
1. Use Standard Cam Loc by default where space permits
  2. Use Short Cam Loc where Std. version violates vertical clearance due to insertion depth limitation or obstruction
  3. Min. of 0.5" is req'd. and is also the limit of insertion

Note: Dwg. for illustration only  
NOT TO SCALE

**Note**

4. Clearance allows Hose storage as well as insertion and removal for service.

# Cam Loc Female Side View



# Cam Loc Male Side View up to Hose Cuff (Hose not shown)

